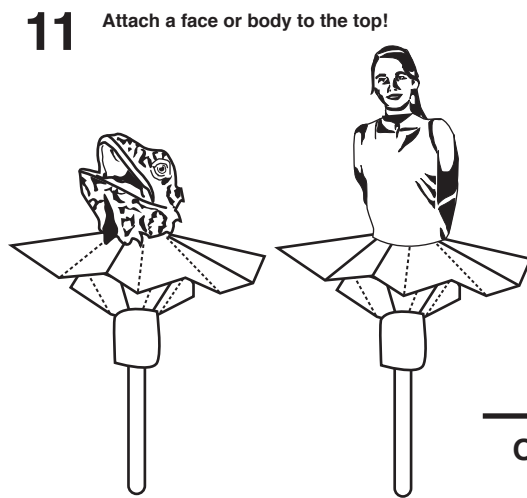
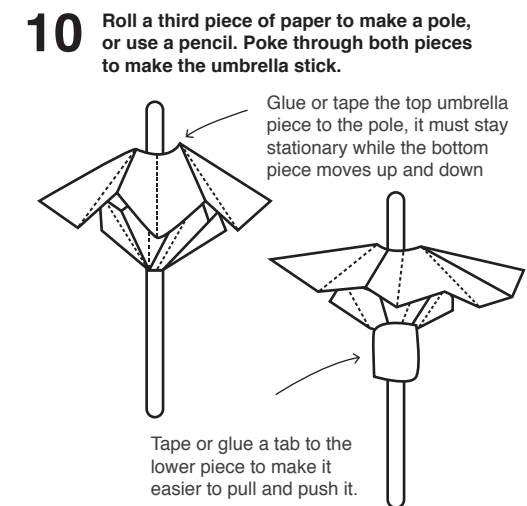
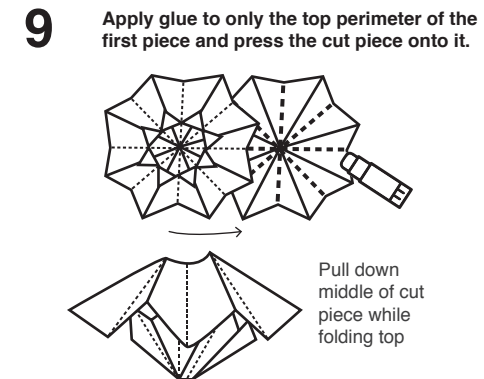
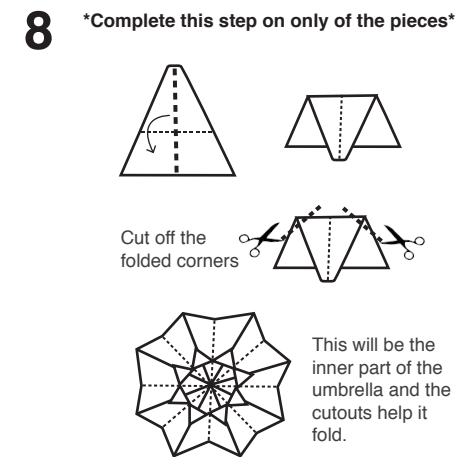
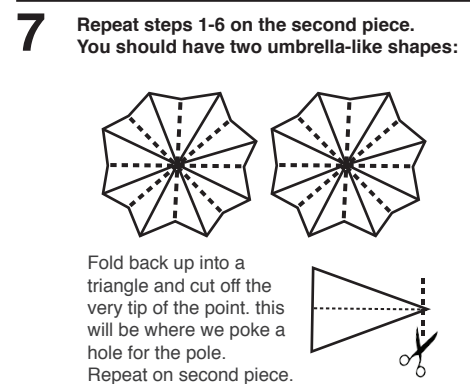
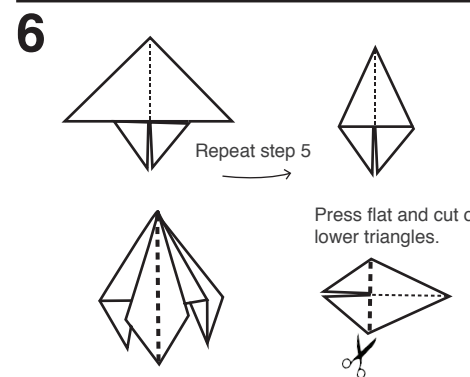
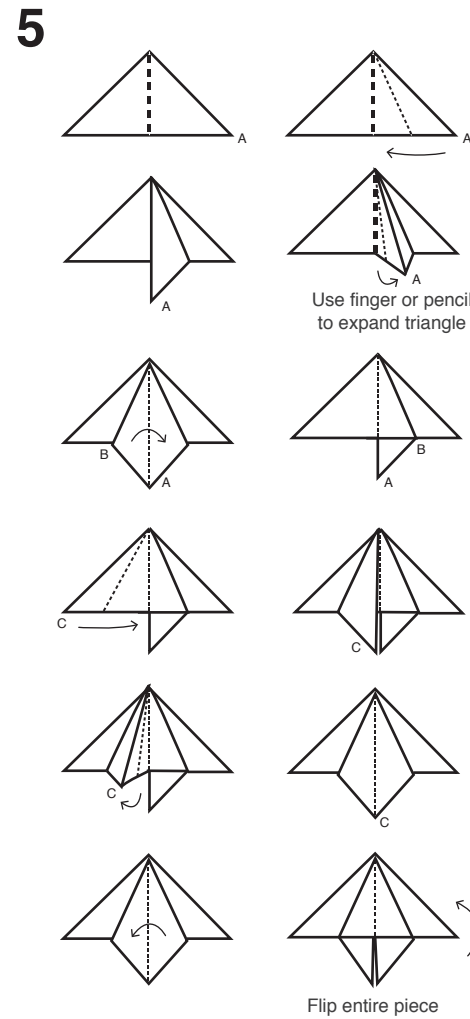


**Origami Personal Space Dress**  
urbarmor.org



**Note**

The actual "Personal Space Dress" uses a very similar technique, with modified umbrella parts. The main difference is: motors installed under the skirt, between the top and bottom piece, control the movement of the lower piece, and allow it to be automated.

**Origami Personal Space Dress**  
urbarmor.org